

Instruction manual

FD Rooftop tents



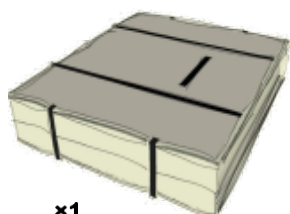
FD Rooftop tents

The concept of our rooftop tents is based on more than 20 years' experience in the use, production & selling of rooftop tents. The safety factor and advantage as a lookout position and easy set-up have made rooftop tents very popular.

The ability to test the FD rooftop tents in the field, over rough terrain and in all-weather conditions worldwide, has enabled us to produce a rooftop tent of strength and reliability in a competitive price range.

Wake up feeling fresh and alive after a good night's sleep on a high-density foam mattress, standard in every FD Rooftop Tents!

PARTS:



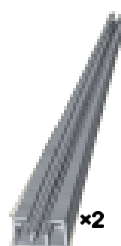
x1

1×Rooftop Tent
Cover (Tent & Foam mattress)



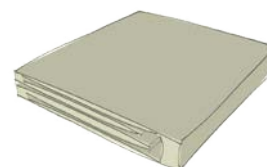
x1

1×Ladder



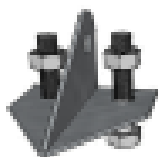
x2

2 x Aluminum bar



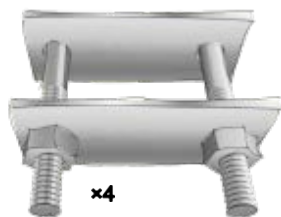
x1

1×Travel



x2

2×Sets for ladder



x4

4×sets for Aluminum bar



x8

8× Wires



x8

8×Screw



x2

2×Wrench



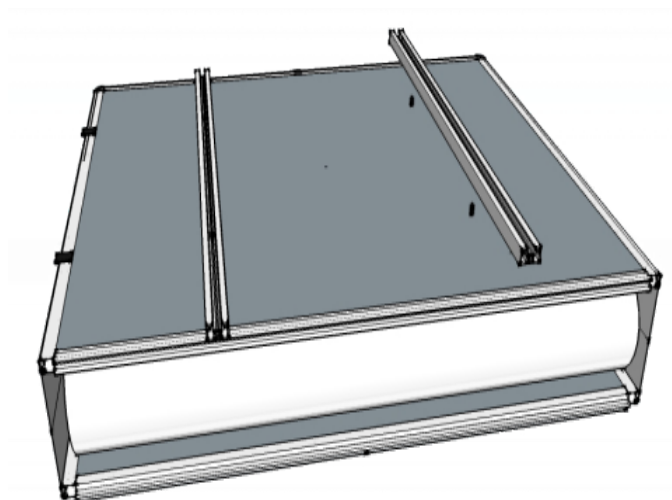
x1

1×Instruction manual

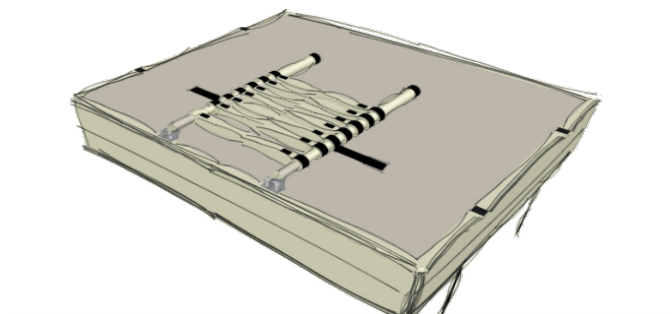
INSTALLATION MANUAL:

Step 1. Open the tent and take out all accessories.

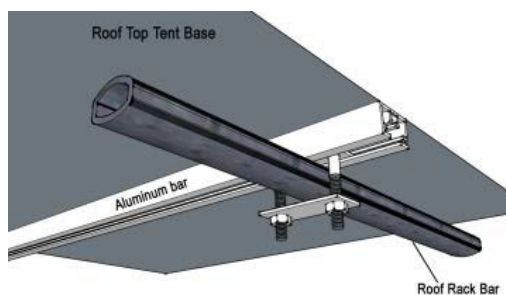
Step 2. Fix the aluminum bar under the bed base using the predrilled openings



Step 3. Fix the ladder to the tent base using the openings under the bed base



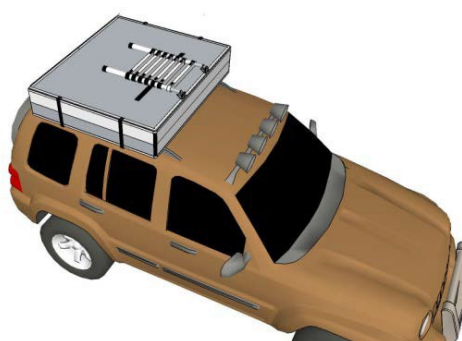
Step 4. Choose the direction in which you want to open the tent



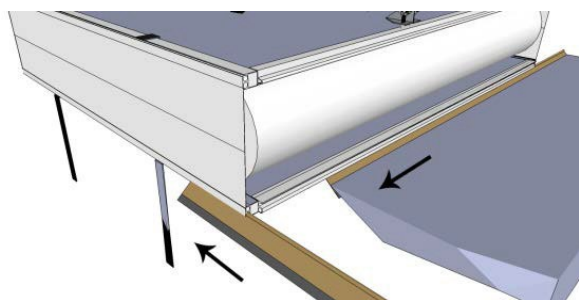
Open the tent to the left side:



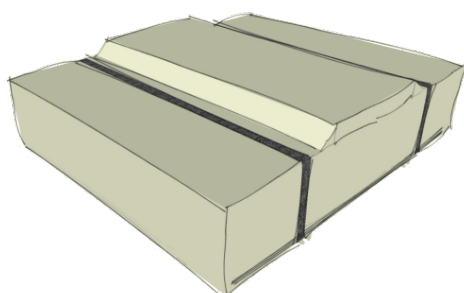
Open the tent to the back:



Step 5. Slide the top & bottom cover in the bed base



Step 6. Zip up the cover and fasten all straps



OPERATION INSTRUCTIONS:

Step 7. Unfasten the straps, unzip the travel cover and stretch the ladder



Step 8. Open the tent by pulling the ladder, and adjust the ladder to a suitable position

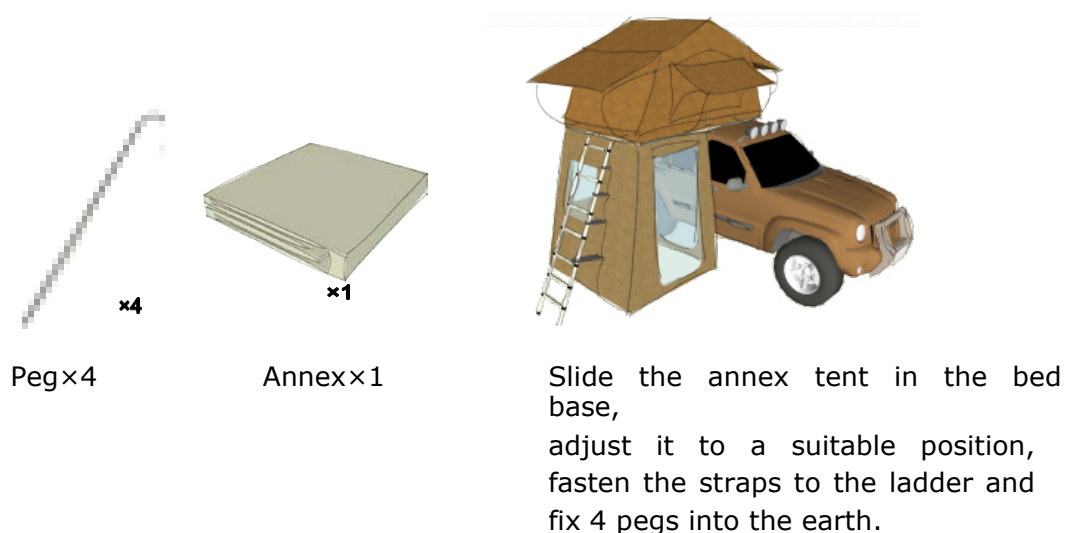


Step 9. Set up the window & door flap using the springs

Please note: Place the springs in the small drilled holes in the frame of the bed before hooking them in the rings on the flaps and use the long springs for the long side of the tent, and the short springs for the short side of the tent. This way the flaps are tense and water can glide of.



OPTIONAL: Annex tent



PLEASE NOTE:

- **Do not move the vehicle when the rooftop tent is set up.**
- **110km/h Speed limit to avoid excessive wear on the travel cover Please use the ladder according to the ladder instruction**
- **Max load of tent base: 300kg (depends on the vehicle itself at the top of the load-bearing)**
- **Wind force 5 is the maximum wind force for using the Rooftop tent**
- **Please dry the tent as soon as possible after a rainy day, do not pack the tent when it is wet.**

Contact your local reseller if you need further assistance or have any further questions.

Thank you